



COMPETITIVE BIDDING TENDER CBTD42-26

INVITATION TO BID

FOR THE SUPPLY AND DELIVERY OF DOME CLOSURES

Tender Closing Date: 02 June 2026

Time: 11.00am



BIDDING DOCUMENT FOR THE SUPPLY AND DELIVERY OF DOME CLOSURES

PROCUREMENT REFERENCE NO: CBTD42-26

Standard Bidding Document for the

**Procurement of: FOR THE SUPPLY AND DELIVERY OF DOME
CLOSURES**

Procurement Reference No: CBTD42-26

Procuring Entity: TelOne Zimbabwe

Date of Issue:

Table of Contents

Part 1: Bidding Procedures

Part 2: Statement of Requirements

Part 3: Draft Contract

BIDDING DOCUMENT FOR THE SUPPLY AND DELIVERY DOME CLOSURES

PROCUREMENT REFERENCE NO: CBTD42-26

PART 1 BIDDING PROCEDURES

PART 1: BIDDING PROCEDURES

Procurement Reference Number: CBTD42-26

Preparation of Bids

You are requested to bid for the supply and delivery of **DOME CLOSURES**

Requirements below, by completing and returning the following documentation:

1. Completed and signed Bid Submission Sheet in this Part;
2. the Statement of Requirements in Part 2;
3. Validity period of tender of 60 days (Bidders must sign the bid submission sheet)
4. Bidders must have provided goods to at least 3 companies (traceable reference letters from each company required)
5. At least three written reference letters (in the form of official letters from client companies) for supply and delivery of related goods.
6. Completed and signed bid securing declaration in the format specified in Annex F
7. *Bidders are required to submit samples or technical brochures*
8. A copy of
 - i. *Current Tax Clearance Certificate*
 - ii. *Current VAT Certificate*
 - iii. *CR6 (or CR14) showing Company Directors*
 - iv. *Certificate of Incorporation or equivalent registration in the country of residence*

The tender should have a table of contents with marked pages.

You are advised to carefully read the complete Bidding Document, before preparing your Bid.

The standard forms in this document may be retyped for completion but the Bidder is responsible for their accurate reproduction. All pages of the Bid must be clearly marked with the Procurement Reference Number above and the Bidder's name and any reference number.

Number of bids allowed

No Bidder may submit more than one bid, either individually or as a joint venture partner in another Bid, except as a subcontractor. Where the procurement is divided into lots and packages, only one Bid can be submitted. A conflict of interest will be deemed to arise if bids are received from more than one Bidder owned, directly or indirectly, by the same person.

Clarification

Clarification of the bidding document may be requested in writing by any Bidder before 28 May 2026 and should be sent to The Procurement Executive, TelOne P O Box Y331 Causeway, Harare Zimbabwe Fax: 263 – 242 – 2795499

Email- learnmore.gwite@telone.co.zw ; caroline.chikukutu@telone.co.zw; and cladios.chenga@telone.co.zw

NB: All prospective bidders are required to register with TelOne by sending an email to learnmore.gwite@telone.co.zw and procurement@telone.co.zw immediately after downloading the tender document. Responses to queries and clarifications will be communicated to all registered bidders and will also be published on TelOne Website.

BIDDING DOCUMENT FOR THE SUPPLY AND DELIVERY DOME CLOSURES

PROCUREMENT REFERENCE NO: CBTD42-26

PART 1 BIDDING PROCEDURES

Bid Prices and Discounts

The prices and discounts quoted by the Bidder in the Bid Submission Form and in the Price Schedules must conform to the requirements specified below.

Prices must be quoted as specified in the Price Schedule included in Part 2 Statement of Requirements. In quoting prices, the Bidder is free to use transportation through carriers registered in any eligible country and similarly may obtain insurance services from any eligible country. Prices quoted must include the following costs and components:

- (a) For the goods
 - (i) the price of the goods and the cost of delivery to the final destination, including the relevant INCOTERM, as stated in the Delivery Schedule;
 - (ii) the custom duties to be paid on the goods on entry in Zimbabwe, if not already included;
 - (iii) Any other applicable import taxes;
 - (iv) any sales and other taxes due within Zimbabwe which will be payable on the goods, if not already included;
 - (v) Any rebate or mark-up of the local agent or representative.
- (b) for Related goods, (other than inland transportation and other services required to convey the Goods to their final destination), whenever such Related goods are specified in the Schedule of Requirements:

The price of each item comprising the related goods (inclusive of any applicable taxes).

Evaluation of Bids

Bids will be evaluated using the following methodology:

1. Preliminary evaluation the preliminary evaluation shall consider bidders' compliance with requirements by submitting the following mandatory requirements

Preliminary Tender Requirements	Bidder Compliance C – Compliant NC – Non-Compliant
Completed and signed Bid Submission Sheet in this Part;	
Completed Statement of Requirements in Part 2;	
Validity period of tender of 60 days (Bidders must sign the bid submission sheet)	
At least three written reference letters (in the form of official letters from client companies) for supply and delivery of related goods.	
Completed and signed bid securing declaration in the format specified in Annex F	
<i>A copy of Current Tax Clearance Certificate</i>	
<i>Current VAT Certificate</i>	
<i>A copy of CR6 or CR14 showing Company Directors</i>	
<i>A copy of Certificate of Incorporation or equivalent registration in the country of residence</i>	
<i>Bidders are required to submit samples or technical brochures</i>	

Bidders with outstanding deliveries for similar requirements may not be considered for this tender.

BIDDING DOCUMENT FOR THE SUPPLY AND DELIVERY DOME CLOSURES

PROCUREMENT REFERENCE NO: CBTD42-26

PART 1 BIDDING PROCEDURES

FAILURE TO COMPLY WITH ANY OF THE ABOVE REQUIREMENTS WILL LEAD TO AUTOMATIC DISQUALIFICATION

2. Technical evaluation

The Technical Specifications Sheet details the minimum specification of the Goods required. The goods offered must meet this specification, but no credit will be given for exceeding the specification. The technical evaluation shall consider bidder's compliance with the technical specifications of the tender given below. The technical specifications of the project are broken down into technical components ALL of which must be complied with.

The delivery period required is measured from the date of the signing of the Contract between the Procuring Entity and the Bidder.

3. Financial evaluation and comparison to determine the evaluated price of bids and to determine the lowest evaluated bid.

Bids failing any stage will be eliminated and not considered in subsequent stages.

Evaluation criteria

The Procuring Entity's evaluation of a Bid will take into account, in addition to the Bid Price, the following criteria and methodologies.

- (a) **Delivery schedule:** The specified Goods are required to be delivered by the date indicated in the Delivery Schedule in Part 2. If the delivery period offered differs from the requirements in the schedule, bidder must state in their bid.
- (b) **Deviation in payment schedule:** The payment schedule is stated in the contract. A Bidder may propose a deviation from the schedule and if the deviation is considered acceptable to the Procuring Entity, the Bid will be evaluated by calculating interest earned for any earlier payments involved in the terms outlined in the Bid as compared with those stipulated in the SCC, at the rate of interest indicated by the Reserve Bank of Zimbabwe on the closing date for submission of bids.
- (c) **Cost of major replacement components, mandatory spare parts, and service:**
Bidders must state the unit prices for these items. The total cost of these items and quantities will be added to the Bid price, for evaluation purposes only.
- (d) **Life Cycle Costs:** An adjustment to take into account the additional life cycle costs for the period specified below, such as the operating and maintenance costs of the Goods, including the cost to the Procuring Entity of establishing the minimum service facilities and parts inventories if not available in Zimbabwe, will be added to the Bid price for evaluation purposes only. The adjustment will be evaluated in accordance with the methodology specified below and the following information:
A margin of preference, in accordance with the procedures outlined in section 8 of the Regulations,
- (e) **DOMES CLOSURES:** Bidders must have traceable proof of experience in a similar project

Eligibility and Qualification Criteria

Bidder is required to meet these criteria to be eligible to participate in public procurement and to be qualified for the proposed contract. They must therefore provide any available documentation and certify their eligibility in the Bid Submission Sheet. To be eligible, Bidder must

1. have the legal capacity to enter into a contract;

BIDDING DOCUMENT FOR THE SUPPLY AND DELIVERY DOME CLOSURES

PROCUREMENT REFERENCE NO: CBTD42-26

PART 1 BIDDING PROCEDURES

2. not be insolvent, in receivership, bankrupt or being wound up, not have had business activities suspended and not be the subject of legal proceedings for any of these circumstances;
3. have fulfilled their obligations to pay taxes and social security contributions in Zimbabwe;
4. not have a conflict of interest in relation to this procurement requirement, and
5. not be debarred from participation in public procurement;

Origin of Goods

All Goods and related services must have as their country of origin an eligible country, as specified in the Contract.

Technical Criteria

The Technical Specifications Sheet details the minimum specification of the goods required. The goods offered must meet this specification, but no credit will be given for exceeding the specification. Marking criteria: Bids MUST be fully compliant with each item specification.

Currency

Bidders should quote in USD Payable in ZWG.

Award of Contract

The lowest evaluated bid to specification after application of any additional evaluation criteria, including any margin of preference, which is substantially responsive to the requirements of this bidding document will be recommended for award of contract. The proposed award of contract will be by issue of a Notification of Contract Award which will be effective until signature of the contract documents. Unsuccessful Bidders will receive the Notification of Contract Award.

Right to Reject

The Procuring Entity reserves the right to accept or reject any Bids or to cancel the procurement process and reject all Bids at any time prior to contract award.

Corrupt Practices

The Government of Zimbabwe requires that Procuring Entities, as well as Bidders and Contractors, observe the highest standard of ethics during the procurement and execution of contracts. In pursuit of this policy:

1. the Procuring Entity will reject a recommendation for award if it determines that the Bidder recommended for award has, directly or through an agent, engaged in corrupt, fraudulent, collusive or coercive practices in competing for the Contract or been declared ineligible to be awarded a procurement contract;
2. any conflict of interest on the part of the Bidder must be declared.

BIDDING DOCUMENT FOR THE SUPPLY AND DELIVERY DOME CLOSURES

PROCUREMENT REFERENCE NO: CBTD42-26

PART 1 BIDDING PROCEDURES

**Annex A
Bid Submission Sheet**

{Note to Bidders: Complete this form with all the requested details and submit it as the first page of your Bid. Attach the completed Statement of Requirements and any other documents requested in Part 1. Ensure that your Bid is authorised in the signature block below. A signature and authorisation on this form will confirm that the terms and conditions of this Bid prevail over any attachments. If your Bid is not authorised, it may be rejected. If the Bidder is a Joint Venture (JV), the Bid must be signed by an authorized representative of the JV on behalf of the JV, and so as to be legally binding on all the members as evidenced by a power of attorney signed by their legally authorized representatives.

Bidders must mark as "CONFIDENTIAL" information in their Bids which is confidential to their business. This may include proprietary information, trade secrets or commercial or financially sensitive information}.

Procurement Reference Number:	CBTD42-26
Subject of Procurement:	
Name of Bidder:	
Bidder's Reference Number:	
Date of Bid:	

We offer to supply the items listed in the attached Statement of Requirements, at the prices indicated on the attached Price Schedule and in accordance with the terms and conditions stated in your Bidding Document referenced above.

We confirm that we meet the eligibility criteria specified in Part 1: Procedures of Bidding.

We declare that we are not debarred from bidding and that the documents we submit are true and correct.

The validity period of our bid is: 60 Days from the date of submission.

We confirm that the prices quoted in the attached Price Schedule are fixed and firm for the duration of the validity period and will not be subject to revision, variation or adjustment.

Bid Authorised by:

Signature	Name:
Position:	Date:(DD/MM/YY)
Authorised for and on behalf of:	
Company	
Address:	
.....	

BIDDING DOCUMENT FOR THE SUPPLY AND DELIVERY OF DOME CLOSURES

PROCUREMENT REFERENCE NO: CBTD42-26

PART 2 STATEMENT OF REQUIREMENTS

ANNEX B

PART 2: STATEMENT OF REQUIREMENTS

Name of Bidder:

Bidder's Reference Number:

List of Items and Price Schedule

CURRENCY OF BID: US\$

Item No ¹	Description of goods	Quantity ²	Unit Price ³	Total Price ⁴
			<i>[to be provided by the Bidder]</i>	<i>[to be provided by the Bidder]</i>
	For the supply and delivery of			
1	2 WAY DOME CLOSURE	500		
2	4 WAY DOME CLOSURE	1500		
	VAT			
	Total			

NB: TelOne reserves the right to alter quantities

1. PLEASE STATE IF THE PRICE INCLUDES OR EXCLUDES VAT.
UNLESS OTHERWISE STATED PRICES WILL BE TAKEN TO INCLUDE VAT
2. BIDDERS SHOULD STATE PAYMENT TERMS

BIDDING DOCUMENT FOR THE SUPPLY AND DELIVERY OF DOME CLOSURES

PROCUREMENT REFERENCE NO: CBTD42-26

PART 2 STATEMENT OF REQUIREMENTS

Annex C

Delivery Schedule

Name of Bidder:

Bidder's Reference Number: CBTD42-26

{Note to Bidders: If the delivery period offered, or any other details, differ from the requirements below, this should be stated in your tender}.

Item No	Description of goods	Delivery period required by Procuring entity	Delivery period
			<i>[to be provided by the Bidder]</i>
	For the supply and delivery of		
	2 Way Dome closure	30 Days	
	4 way Dome closure	30 Days	

The delivery period required is measured from the date order is placed

BIDDING DOCUMENT FOR THE SUPPLY AND DELIVERY OF DOME CLOSURES

PROCUREMENT REFERENCE NO: CBTD42-26

PART 2 STATEMENT OF REQUIREMENTS

Annex D

Technical Specification and Compliance Sheet

ITEM	DESCRIPTION	QUANTITY
	For the supply and delivery of	
	2 way dome closure	500
	4 way dome closure	1500

Specifications

2-way dome closure

Description:

A fiber optic splice closure that used for optical fiber cable splicing, joint and protection. It is water proof and dust proof and suitable for outdoor aerial hanged, pole mounted, wall mounted, duct, buried application. It is special design, two domes body, easy for installation and maintenance.

Features:

Cable entry section is single-sided pot structure which is suitable for space constrained hand holes

(Also possible to be used in man-holes, telephone tunnels, wall-mounting and pole-mounting etc.)

Closure adopts hoop/buckle mechanism which makes dismantling/assembling easy

Cable entry section can accommodate maximum 4cables (main cable2pcs, branching cable 2pcs)

Supports loose tube cable, slotted core cable, drop cable.

- Suitable for application in areas with limited space applications, too. (Hand holes)

- Applicable for all networks.

- Fully Heat Shrinkable design, fiber reinforced PP plastic or equivalent

- Recommendation of life span for 15 to 20 years (depends on environment)

- Concept of separate cable entries system

- Laser caution signs provided on cover of the top tray

-Size of splice tray smaller footprint than 12"x12"or 8"x24"

BIDDING DOCUMENT FOR THE SUPPLY AND DELIVERY OF DOME CLOSURES

PROCUREMENT REFERENCE NO: CBTD42-26

PART 2 STATEMENT OF REQUIREMENTS

- 360deg access permits complete access to all wirework and equipment

Material: Outside PP+UV closure body, inside ABS splice tray

Sealing structure: Mechanical sealing

IP standard: IP68 waterproof and dust proof

Cable port: 4 cable ports (2 in 2 out) suitable for $\Phi 11\text{mm}$ & $\Phi 18\text{mm}$ cable entry or exit.

Splice tray qty: Max. 4pcs splice trays, each tray 12 slots for max. 24 fibers splicing.

Capacity: Max. 96 fibers

Two domes design, very easy for installation and maintenance.

Specifications

Vibration	No change in air pressure, immersed in water at room temperature stability of the container to observe 15min no bubbles escape
Cable bend	Fiber optic cable and Fiber can be bent under tension load for the 150N, bending angle of $\pm 45^\circ$ 10 of the bending cycle.
Cable torsion	It can withstand torque than 50N.m, to reverse the perspective of $\pm 90^\circ$, a total of 10 times to reverse the cycle.
Rust resistance	No change in air pressure tests, water containers at room temperature immersion in the stability of observation should be no air bubbles escape 15min at the same time without weight loss, swelling and corrosion
Temperature cycling	More than 10 times
Impact	Without any effect on
Immersion	No change in air pressure, immersed in water at room temperature stability of the container to observe 15min no bubbles escape

BIDDING DOCUMENT FOR THE SUPPLY AND DELIVERY OF DOME CLOSURES

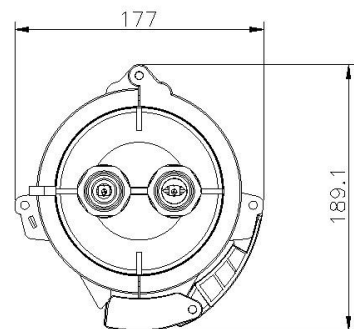
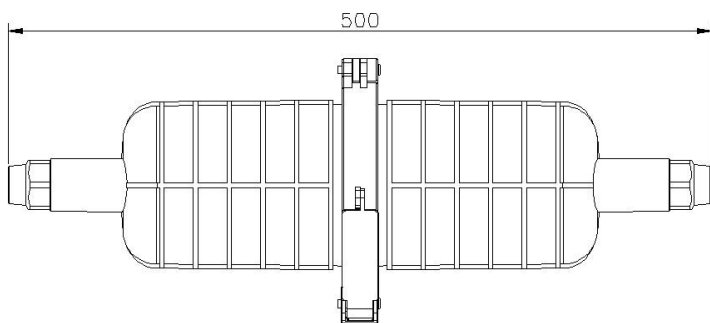
PROCUREMENT REFERENCE NO: CBTD42-26

PART 2 STATEMENT OF REQUIREMENTS

Air tightness	air pressure inside the box for the $100 \pm 5\text{kPa}$, soaking in water at room temperature stability of the container to observe 15 minutes without air bubbles escape, or the stability of a 24-hour observation barometer change direction
Compression	Optic Splice Closures can withstand the pressure 2000N/100mm time 1 min
Chemical Resistance	No change in air pressure tests, water containers at room temperature immersion in the stability of observation should be no air bubbles escape 15min at the same time without weight loss, swelling and corrosion

Dimension	Material	Splice tray	Max. capacity	Cable port	Structure
$\leq \Phi 177 \times 500\text{mm}$	Polypropylene (PP)	4 PCS	96 FO	4 port	Mechanical sealing

Drawings: (mm)

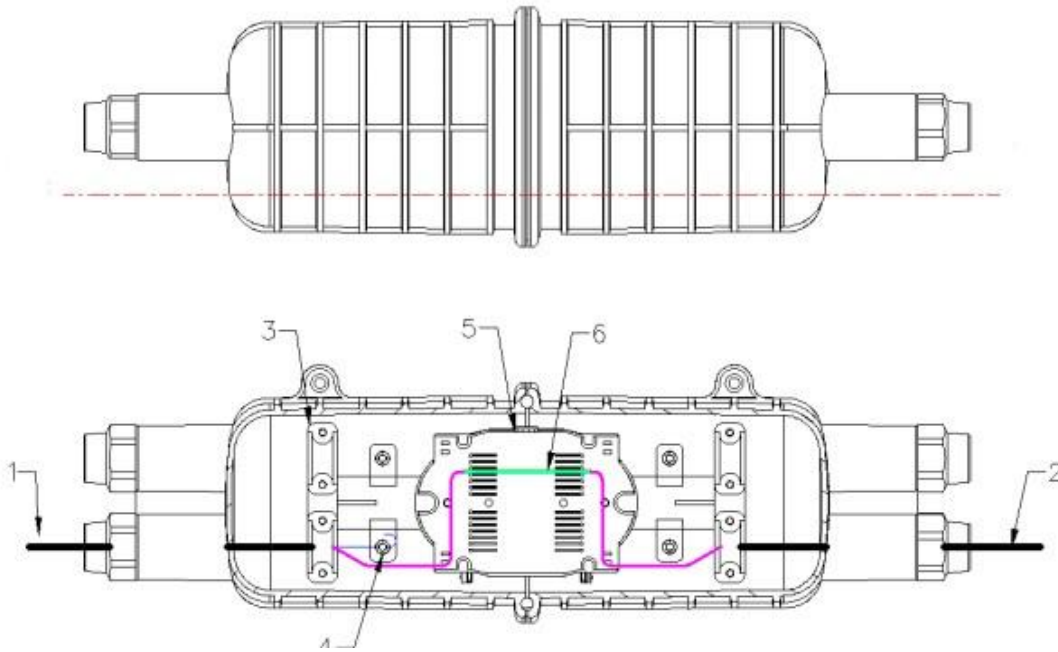


Cable management drawings

BIDDING DOCUMENT FOR THE SUPPLY AND DELIVERY OF DOME CLOSURES

PROCUREMENT REFERENCE NO: CBTD42-26

PART 2 STATEMENT OF REQUIREMENTS



- 1- cable port 2- cable port 3- cable fixing parts
 4- cable strengthen core fixing parts
 5- fiber optic splice tray 6- heat protect shrinkable sleeve

Accessories:

Item	Name	Specification	Qty
1	Fiber optic heat protect shrinkable sleeve	Length 60mm	As per using capacity
2	Cable tie	Length 120mm	5 pcs
3	Insulating tape	0.15*17mm*8 code	1 reel
4	Aerial hanged accessories	Stainless steel	1 set
5	Pole Mounting accessories	Stainless steel	1 set

BIDDING DOCUMENT FOR THE SUPPLY AND DELIVERY OF DOME CLOSURES

PROCUREMENT REFERENCE NO: CBTD42-26

PART 2 STATEMENT OF REQUIREMENTS



4way Dome closure

Description:

A dome type fiber optic splice closure that used for fiber optic cable splicing and protection.

Features

Cable entry section is single-sided pot structure which is suitable for space constrained hand holes

(Also possible to be used in man-holes, telephone tunnels, wall-mounting and pole-mounting etc.)

Closure adopts hoop/buckle mechanism which makes dismantling/assembling easy

Cable entry section can accommodate maximum 6 cables (main cable 2 pcs, branching cable 4 pcs)

Supports loose tube cable, slotted core cable, drop cable.

- Suitable for application in areas with limited space applications, too. (Hand holes)

- Applicable for all networks.

- Fully Heat Shrinkable design, fiber reinforced PP plastic or equivalent

- Recommendation of life span for 15 to 20 years (depends on environment)

- Concept of separate cable entries system

- Laser caution signs provided on cover of the top tray

- Size of splice tray smaller footprint than 12"x12" or 8"x24"

- 360deg access permits complete access to all wirework and equipment

1) Splice tray: Max. 6 pcs, each 24 cores

BIDDING DOCUMENT FOR THE SUPPLY AND DELIVERY OF DOME CLOSURES

PROCUREMENT REFERENCE NO: CBTD42-26

PART 2 STATEMENT OF REQUIREMENTS

- 2) Cable port: 4pcs round port ϕ 18mm, mechanical sealing.
- 3) Waterproof: IP68
- 5) Material: high impact resistance PP materials with UV

Specification :

Material	Polypropylene (PP)
Dimension	$\leq \Phi 168 \times 424.5$ mm
Max. capacity	120 fibers
Splice tray	6pcs, each 24 fibers max 144

Specifications

Vibration	No change in air pressure, immersed in water at room temperature stability of the container to observe 15min no bubbles escape
Cable bend	Fiber optic cable and Fiber can be bent under tension load for the 150N, bending angle of $\pm 45^\circ$ 10 of the bending cycle.
Cable torsion	It can withstand torque than 50N.m, to reverse the perspective of $\pm 90^\circ$, a total of 10 times to reverse the cycle.
Rust resistance	No change in air pressure tests, water containers at room temperature immersion in the stability of observation should be no air bubbles escape 15min at the same time without weight loss, swelling and corrosion
Temperature cycling	More than 10 times
Impact	Without any effect on

BIDDING DOCUMENT FOR THE SUPPLY AND DELIVERY OF DOME CLOSURES**PROCUREMENT REFERENCE NO: CBTD42-26****PART 2 STATEMENT OF REQUIREMENTS**

Immersion	No change in air pressure, immersed in water at room temperature stability of the container to observe 15min no bubbles escape
Air tightness	air pressure inside the box for the $100 \pm 5\text{kPa}$, soaking in water at room temperature stability of the container to observe 15 minutes without air bubbles escape, or the stability of a 24-hour observation barometer change direction
Compression	Optic Splice Closures can withstand the pressure 2000N/100mm time 1 min
Chemical Resistance	No change in air pressure tests, water containers at room temperature immersion in the stability of observation should be no air bubbles escape 15min at the same time without weight loss, swelling and corrosion

Accessories:

Item	Name	Specification	Qty
1	Fiber optic heat protect shrinkable sleeve	Length 60mm	As per using capacity
2	Cable tie	Length 120mm	5 pcs
3	Insulating tape	0.15*17mm*8 code	1 reel
4	Aerial hanged accessories	Stainless steel	1 set
5	Pole Mounting accessories	Stainless steel	1 set

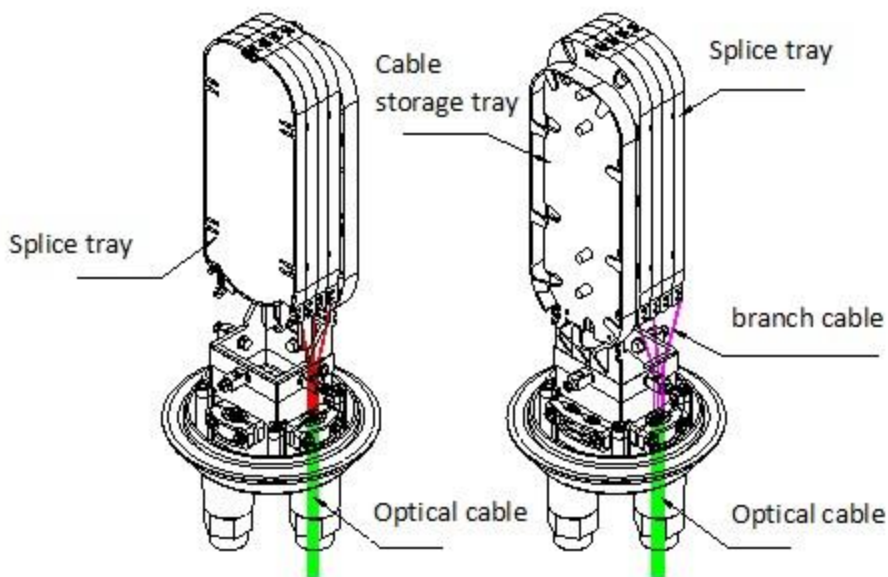
BIDDING DOCUMENT FOR THE SUPPLY AND DELIVERY OF DOME CLOSURES

PROCUREMENT REFERENCE NO: CBTD42-26

PART 2 STATEMENT OF REQUIREMENTS



Cable distribution :



Declaration by the Accounting Officer

I declare that the procurement is based on neutral and fair technical requirements and bidder qualifications.

pp 

BIDDING DOCUMENT FOR THE SUPPLY AND DELIVERY OF DOME CLOSURES

PROCUREMENT REFERENCE NO: CBTD42-26

PART 2 STATEMENT OF REQUIREMENTS

Annex E

Special Conditions of Contract

Procurement Reference Number: CBTD42-26

Reference	Special Conditions
1.	Eligible Countries: Goods from all countries are eligible.
2	Notices: Any notice shall be sent to the following addresses: For the Procuring Entity, the address shall be as given in the Contract document and the contact shall be at TelOne Runhare House, 107 Kwame Nkrumah Harare, 8 th Floor. For the Contractor, the address shall be as given in the Bid and the contact shall be <i>{state name of contact}</i>
3	Liquidated Damages: Liquidated Damages in terms of section 88 of the Act shall apply. In the case of delays in the delivery of Goods, the Contractor will be liable to pay damages of 0.5% of contract price per week of delay up to a maximum of 10% of contract value. If 10% is exceeded, the contract may be cancelled NB. The contractor will not be charged liquidated damages when the delay in delivery or performance is beyond the contractor's control and is not caused by fault or negligence on the part of the contractor.
4	Packing, Marking and Documentation: The goods shall meet the following special packing requirements: Items should be wrapped to secure against damages either in cardboard boxes or any reasonable package
5	Insurance: The Goods shall be fully insured until full delivery is accepted.
6	Inspections and tests: The Purchaser shall have the right at any time to inspect work being undertaken in terms of this contract and to reject such work if it is found to be defective or inferior in quality or in non-compliance to the specifications of the Contract. Should any work be so rejected, then the contractor, shall replace or make goods to the satisfaction of the Purchaser, at his own expense, without alteration to any of the Contractor's liabilities and obligations under the contract. Before proceeding to execute any work, the contractor shall, if so requested, obtain the Purchaser's approval of the manner in which the

BIDDING DOCUMENT FOR THE SUPPLY AND DELIVERY OF DOME CLOSURE**PROCUREMENT REFERENCE NO: CBTD42-26****PART 3 CONTRACT**

Reference	Special Conditions
	<p>Contractor proposes to carry out any part of the work and shall furnish any drawing or information the purchaser shall require.</p> <p>The Contractor shall afford the Purchaser all reasonable facilities as may be required to carry out inspections. Any work rejected by the Purchaser shall be marked or segregated in a manner satisfactory to the Purchaser to ensure its identification as rejected work.</p>
7.0	Performance security: The Contractor shall provide a performance security of 10% of the Contract Price. The performance security shall be denominated in the currency of the Contract and issued by a Bank located in Zimbabwe or a foreign Bank through correspondence with a Bank located in Zimbabwe or from another financial institution acceptable to the Procuring Entity.
7.1	Reduction of performance security: Performance security will not be deducted until full delivery.
8.	Warranty: The period of the warranty shall be 12 months.
9.	Failure to remedy a defect: The period allowed to the Contractor to remedy a defect during the period of the Warranty shall be 1 month
10.	Price adjustments: Any price adjustments will be upon agreement by both parties.
11.	Terms of Payment: The structure of payments shall be: 30days

BIDDING DOCUMENT FOR THE SUPPLY AND DELIVERY OF DOME CLOSURE

PROCUREMENT REFERENCE NO: CBTD42-26

PART 3 CONTRACT

Annex F

Bid securing declaration

{The Bidder must fill in this Form in accordance with the instructions indicated, where it has been stated in the Bidding Procedures that a Bid-Securing Declaration is a requirement of bidding}.

Procurement Reference number: CBTD42-26

Date:[date (in day, month and year format)]

Bidder’s Reference Number:

To: *{full name of Procuring Entity}*

We, the undersigned, declare that:

We understand that, according to the terms and conditions of your bidding documents, bids must be supported by a Bid-Securing Declaration.

We accept that we may be debarred from bidding for any framework agreement with a Procuring Entity in Zimbabwe for a period of time to be determined by the Authority, if we are in breach of our obligation(s) under the bidding conditions, because:

- (a) we have withdrawn our Bid during the period of Bid validity; or
- (b) having been notified of the acceptance of our Bid by the Procuring Entity during the period of bid validity, we fail or refuse to execute the framework agreement.

We understand this Bid Securing Declaration will expire if we are not the successful Bidder, either when we receive your notification to us of the name of the successful Bidder, or twenty-eight days after the expiration of our Bid, whichever is the earlier.

Signed	Name:
In capacity of:	Date:(DD/MM/YY)
Duly authorised for and on behalf of:	
Company	
Address:	
.....	
Corporate Seal (where appropriate)	

{Note: In case of a Joint Venture, the Bid Securing Declaration must be in the name of all the partners to the Joint Venture that submits the Bid.